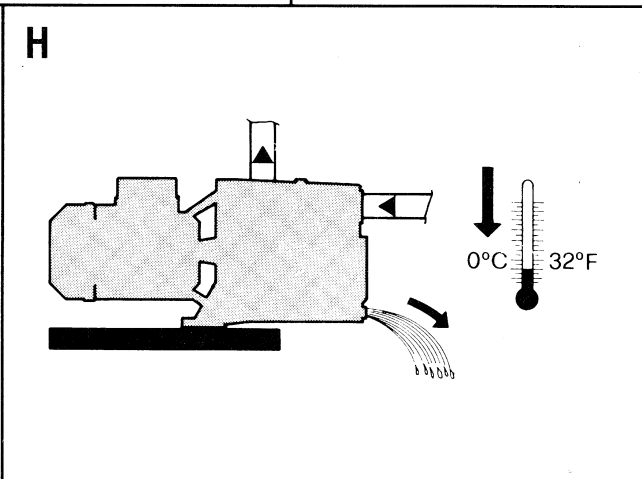
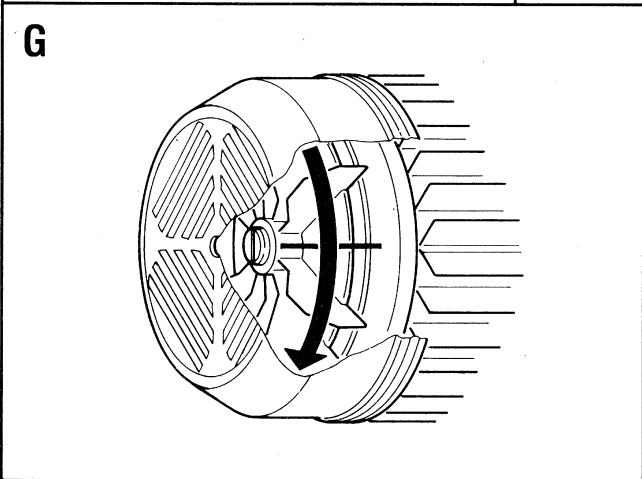
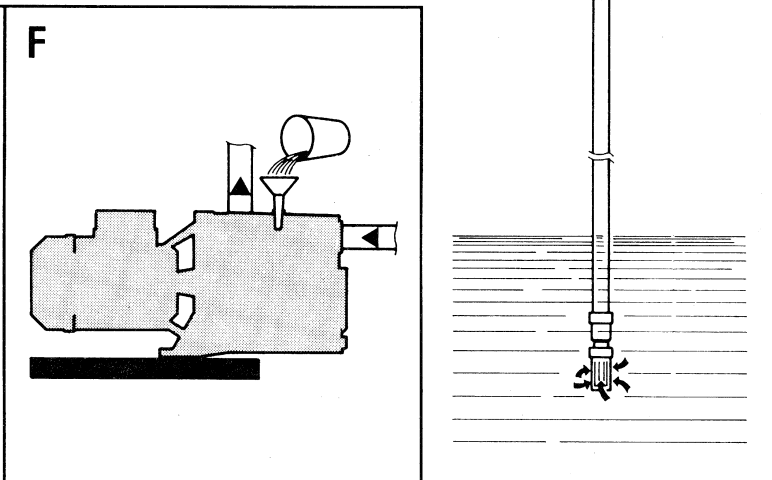
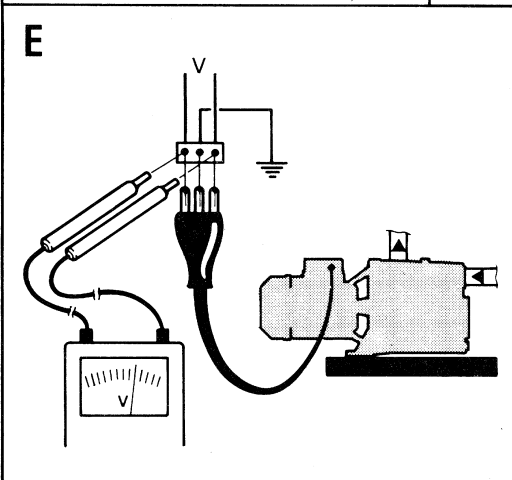
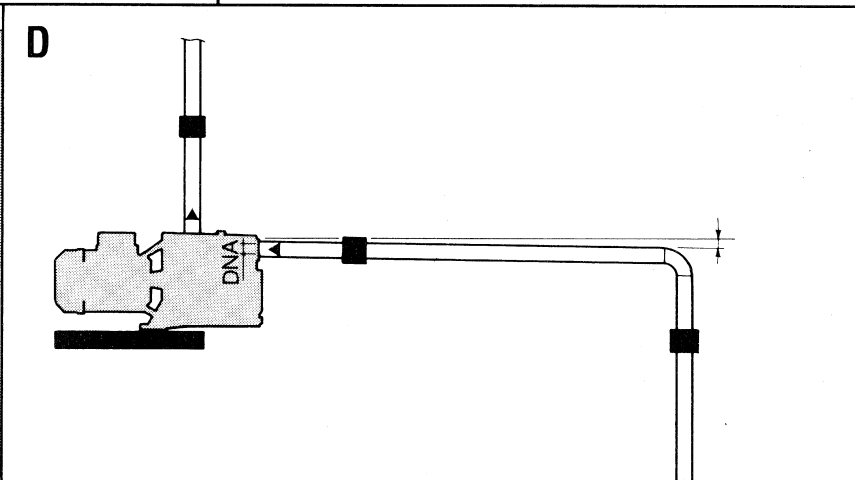
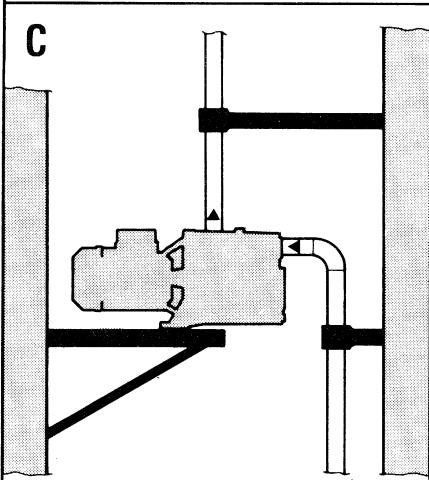
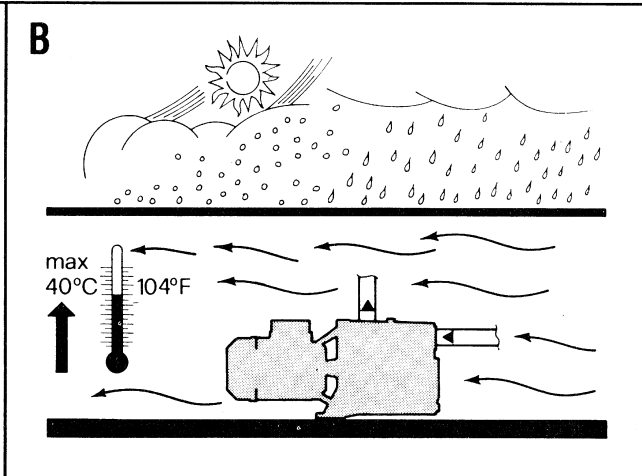
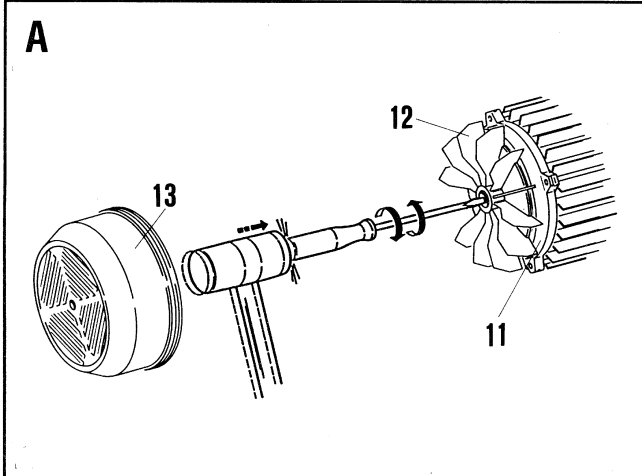


---

**ИНСТРУКЦИИ ПО МОНТАЖУ И ТЕХНИЧЕСКОМУ ОБСЛУЖИВАНИЮ**

**JET 151 – 251 – 200 – 300**  
**DP – AQUADP**  
**EURO – EUROINOX – EUROCOM – EUROCOM SP**  
**GARDEN-INOX**  
**К**  
**КР 38/18 – 60/6 – 60/12**  
**КРА 40/20**





---

**JET 151 - JET 251**  
**JET 200 - JET 300**

**DP 81 - DP 100**  
**DP 82 - DP 102**  
**DP 151 - DP 251**

**AQUADP 82/20 - AQUADP 102/20**  
**AQUADP 151/40 - AQUADP 251/40**

**EURO 15/30 - EURO 20/50 - EURO 25/30 - EURO 30/30 - EURO 40/30**  
**EURO 25/306 - EURO 30/306 - EURO 40/306**

**EUROINOX 15/30 - EUROINOX 20/50 - EUROINOX 25/30 - EUROINOX 30/30**  
**EUROINOX 40/30**

**EUROINOX 25/306 - EUROINOX 30/306 EUROINOX 40/306**

**EUROCOM 25/30 - EUROCOM 30/30**  
**EUROCOM 25/306 - EUROCOM 30/306**

**EURO 30/50 - EURO 40/50 - EURO 50/50**  
**EURO 30/506 - EURO 40/506 - EURO 50/506**

**EUROINOX 30/50 - EUROINOX 40/50 - EUROINOX 50/50**  
**EUROINOX 30/506 – EUROINOX 40/506 – EUROINOX 50/506**

**EUROCOM 30/50 - EUROCOM 40/50**  
**EUROCOM 30/506 - EUROCOM 40/506**

**EURO 25/80 - EURO 30/80 - EURO 40/80**  
**EURO 25/806 - EURO 30/806 - EURO 40/806**

**EUROINOX 25/80 - EUROINOX 30/80 - EUROINOX 40/80**  
**EUROINOX 25/806 - EUROINOX 30/806 - EUROINOX 40/806**

**EUROCOM 25/80 - EUROCOM 30/80**  
**EUROCOM 25/806 - EUROCOM 30/806**

**EUROCOM SP 30/50 - EUROCOM SP 40/50**  
**EUROCOM SP 30/506 - EUROCOM SP 40/506**

**GARDEN-INOX 30/30 - GARDEN-INOX 40/50**

**K 20/41 - K 30/70 - K 30/100 - K 36/100**  
**K 12/200 - K 14/400**  
**K 35/40 - K 45/50 - K 55/50**  
**K 35/100 - K 40/100**

**KP 38/18 - KP 60/6 - KP 60/12 - KPA 40/20**

---

---

**JET 151 – 251 – 200 – 300**  
**DP**  
**EURO – EUROINOX – EUROCOM – EUROCOM SP**  
**GARDEN-INOX**

**(IT) DICHIARAZIONE DI CONFORMITÀ CE**

Noi, **DAB Pumps S.p.A. - Via M.Polo, 14 – Mestrino (PD) – Italy**, dichiariamo sotto la nostra esclusiva responsabilità che i prodotti ai quali questa dichiarazione si riferisce sono conformi alle seguenti direttive:

- **2006/95/CE (Low Voltage Directive)**
- **2004/108/CE (Electromagnetic Compatibility Directive)**

ed alle seguenti norme:

- **EN 60335-1 : 02 (Household and Similar Electrical Appliances – Safety)**
- **EN 60335-2-41 : 03 (Particular Requirements for Pumps)**

**(GB) DECLARATION OF CONFORMITY CE**

We, **DAB Pumps S.p.A. - Via M.Polo, 14 – Mestrino (PD) – Italy**, declare under our responsibility that the to which this declaration refers are in conformity with the following directives:

- **2006/95/CE (Low Voltage Directive)**
- **2004/108/CE (Electromagnetic Compatibility Directive)**

and with the following standards:

- **EN 60335-1 : 02 (Household and Similar Electrical Appliances – Safety)**
- **EN 60335-2-41 : 03 (Particular Requirements for Pumps)**

**(NL) EG-VERKLARING VAN OVEREENSTEMMING**

Wij, **DAB Pumps S.p.A. - Via M.Polo, 14 – Mestrino (PD) – Italy**, verklaren uitsluitend voor eigen verantwoordelijkheid dat de producten waarop deze verklaring betrekking heeft, conform de volgende richtlijnen zijn:

- **2006/95/CE (Low Voltage Directive)**
- **2004/108/CE (Electromagnetic Compatibility Directive)**

en conform de volgende normen:

- **EN 60335-1 : 02 (Household and Similar Electrical Appliances – Safety)**
- **EN 60335-2-41 : 03 (Particular Requirements for Pumps)**

**(SE) EG-FÖRSÄKRAN OM ÖVERENSSTÄMMELSE**

Vi, **DAB Pumps S.p.A. - Via M.Polo, 14 – Mestrino (PD) – Italy**, försäkrar under eget ansvar att produkterna som denna försäkran avser är i överensstämmelse med följande direktiv:

- **2006/95/CE (Low Voltage Directive)**
- **2004/108/CE (Electromagnetic Compatibility Directive)**

och följande standarder:

- **EN 60335-1 : 02 (Household and Similar Electrical Appliances – Safety)**
- **EN 60335-2-41 : 03 (Particular Requirements for Pumps)**

**(FR) DÉCLARATION DE CONFORMITÉ CE**

Nous, **DAB Pumps S.p.A. - Via M.Polo, 14 – Mestrino (PD) – Italy**, déclarons sous notre responsabilité exclusive que les produits auxquels cette déclaration se réfère sont conformes aux directives suivantes:

- **2006/95/CE (Low Voltage Directive)**
- **2004/108/CE (Electromagnetic Compatibility Directive)**

ainsi qu'aux normes suivantes:

- **EN 60335-1 : 02 (Household and Similar Electrical Appliances – Safety)**
- **EN 60335-2-41 : 03 (Particular Requirements for Pumps)**

**(DE) EG-KONFORMITÄTSERKLÄRUNG**

Wir, **DAB Pumps S.p.A. - Via M.Polo, 14 – Mestrino (PD) – Italy**, erklären unter unserer ausschließlichen Verantwortlichkeit, dass die Produkte auf die sich diese Erklärung bezieht, den folgenden Richtlinien:

- **2006/95/CE (Low Voltage Directive)**
- **2004/108/CE (Electromagnetic Compatibility Directive)**

sowie den folgenden Normen entsprechen:

- **EN 60335-1 : 02 (Household and Similar Electrical Appliances – Safety)**
- **EN 60335-2-41 : 03 (Particular Requirements for Pumps)**

**(ES) DECLARACIÓN DE CONFORMIDAD CE**

Nosotros, **DAB Pumps S.p.A. - Via M.Polo, 14 – Mestrino (PD) – Italy**, declaramos bajo nuestra exclusiva responsabilidad que los productos a los que se refiere esta declaración son conformes con las directivas siguientes:

- **2006/95/CE (Low Voltage Directive)**
- **2004/108/CE (Electromagnetic Compatibility Directive)**

y con las normas siguientes:

- **EN 60335-1 : 02 (Household and Similar Electrical Appliances – Safety)**
- **EN 60335-2-41 : 03 (Particular Requirements for Pumps)**

**(TR) CE UYGUNLUK BEYANNAMESİ**

Biz, **DAB Pumps S.p.A. - Via M.Polo, 14 – Mestrino (PD) – Italy**, Münhasır sorumluluğumuz altında olarak aşağıda belirtilen ve işbu beyannamenin ilişkin olduğu ürünlerin aşağıdaki direktiflere:

- **2006/95/CE (Low Voltage Directive)**
- **2004/108/CE (Electromagnetic Compatibility Directive)**

ve aşağıdaki standartlara uygun olduklarını beyan ederiz:

- **EN 60335-1 : 02 (Household and Similar Electrical Appliances – Safety)**
  - **EN 60335-2-41 : 03 (Particular Requirements for Pumps)**
-

**(RU) ЗАЯВЛЕНИЕ О СООТВЕТСТВИИ CE**

Мы, **DAB Pumps S.p.A. - Via M.Polo, 14 – Mestrino (PD) – Italy**, заявляем под полную нашу ответственность, что изделия к которым относится данное заявление, отвечают требованиям следующих директив:

- **2006/95/CE (Low Voltage Directive)**
  - **2004/108/CE (Electromagnetic Compatibility Directive)**
- и следующих нормативов:
- **EN 60335-1 : 02 (Household and Similar Electrical Appliances – Safety)**
  - **EN 60335-2-41 : 03 (Particular Requirements for Pumps)**

**(RO) DECLARAȚIE DE CONFORMITATE CE**

Noi, **DAB Pumps S.p.A. - Via M.Polo, 14 – Mestrino (PD) – Italy**, declarăm sub exclusivă noastră responsabilitate că produsele la care se referă această declarație sunt conforme cu următoarele directive:

- **2006/95/CE (Low Voltage Directive)**
  - **2004/108/CE (Electromagnetic Compatibility Directive)**
- și cu următoarele norme:
- **EN 60335-1 : 02 (Household and Similar Electrical Appliances – Safety)**
  - **EN 60335-2-41 : 03 (Particular Requirements for Pumps)**

**(GR) ΔΗΛΩΣΗ ΣΥΜΜΟΡΦΩΣΗΣ ΕΚ**

Η εταιρεία, **DAB Pumps S.p.A. - Via M.Polo, 14 – Mestrino (PD) – Italy**, Δηλώνει υπεύθυνα πως τα προϊόντα στα οποία αναφέρεται η παρούσα δήλωση, συμμορφώνονται με τις προδιαγραφές των παρακάτω οδηγιών:

- **2006/95/CE (Low Voltage Directive)**
  - **2004/108/CE (Electromagnetic Compatibility Directive)**
- και με τους παρακάτω κανονισμούς:
- **EN 60335-1 : 02 (Household and Similar Electrical Appliances – Safety)**
  - **EN 60335-2-41 : 03 (Particular Requirements for Pumps)**

**欧盟符合标准声明**

我们, 即 **DAB Pumps S.p.A. – Via M.Polo, 14 – Mestrino (PD) – Italy**, 基于独立承担责任的原则在此声明本声明所涉及的这些产品符合以下指令:

- **2006/95/CE (Low Voltage Directive)**
  - **2004/108/CE (Electromagnetic Compatibility Directive)**
- 同时还符合以下标准:
- **EN 60335-1 : 02 (Household and Similar Electrical Appliances – Safety)**
  - **EN 60335-2-41 : 03 (Particular Requirements for Pumps)**

Mestrino (PD), 03/06/2010

**(LT) ES ATITIKTIES DEKLARACIJA**

Mes, **DAB Pumps S.p.A. - Via M.Polo, 14 – Mestrino (PD) – Italy**, atsakingai pareiškiame, kad produktai atitinka šių direktyvų reikalavimus:

- **2006/95/CE (Low Voltage Directive)**
  - **2004/108/CE (Electromagnetic Compatibility Directive)**
- bei šių normų reikalavimus:
- **EN 60335-1 : 02 (Household and Similar Electrical Appliances – Safety)**
  - **EN 60335-2-41 : 03 (Particular Requirements for Pumps)**

**(PT) DECLARAÇÃO DE CONFORMIDADE CE**

Nós, **DAB Pumps S.p.A. - Via M.Polo, 14 – Mestrino (PD) – Italy**, declaramos sob nossa exclusiva responsabilidade que os produtos aos quais esta declaração diz respeito, estão em conformidade com as seguintes diretivas:

- **2006/95/CE (Low Voltage Directive)**
  - **2004/108/CE (Electromagnetic Compatibility Directive)**
- e com as seguintes normas:
- **EN 60335-1 : 02 (Household and Similar Electrical Appliances – Safety)**
  - **EN 60335-2-41 : 03 (Particular Requirements for Pumps)**

شهادة مطابقة أوروبية (CE)  
نحن

**DAB Pumps S.p.A. – Via M.Polo, 14 – Mestrino (PD) – Italy**  
نصرّح تحت مسؤوليتنا الخاصة بأن المنتجات التي إليها توحى هذه الشهادة مطابقة للأنظمة التالية:  
**2006/95/CE (Low Voltage Directive)**  
**2004/108/CE (Electromagnetic Compatibility Directive)**  
وللأنظمة التالية:  
**EN 60335-1 : 02 (Household and Similar Electrical Appliances Safety)**  
**EN 60335-2-41 : 03 (Particular Requirements for Pumps)**

■ ■  
- ' ' Francesco Sinico  
Technical Director

**K**  
**KP 38/18 – 60/6 – 60/12**  
**KPA 40/20**

**(IT) DICHIARAZIONE DI CONFORMITÀ CE**

Noi, **DAB Pumps S.p.A. - Via M.Polo, 14 – Mestrino (PD) – Italy**, dichiariamo sotto la nostra esclusiva responsabilità che i prodotti ai quali questa dichiarazione si riferisce sono conformi alle seguenti direttive:

- 2006/42/CE (Machine Directive)
- 2006/95/CE (Low Voltage Directive)
- 2004/108/CE (Electromagnetic Compatibility Directive)

ed alle seguenti norme:

- EN 60335-1 : 02 (Household and Similar Electrical Appliances – Safety)
- EN 60335-2-41 : 03 (Particular Requirements for Pumps)
- EN 60204-1 : 06 (Electrical Equipment of Machines)
- EN 809 : 98 (Pumps and pump units for liquids - Common safety requirements)

**(GB) DECLARATION OF CONFORMITY CE**

We, **DAB Pumps S.p.A. - Via M.Polo, 14 – Mestrino (PD) – Italy**, declare under our responsibility that the to which this declaration refers are in conformity with the following directives:

- 2006/42/CE (Machine Directive)
- 2006/95/CE (Low Voltage Directive)
- 2004/108/CE (Electromagnetic Compatibility Directive)

and with the following standards:

- EN 60335-1 : 02 (Household and Similar Electrical Appliances – Safety)
- EN 60335-2-41 : 03 (Particular Requirements for Pumps)
- EN 60204-1 : 06 (Electrical Equipment of Machines)
- EN 809 : 98 (Pumps and pump units for liquids - Common safety requirements)

**(NL) EG-VERKLARING VAN OVEREENSTEMMING**

Wij, **DAB Pumps S.p.A. - Via M.Polo, 14 – Mestrino (PD) – Italy**, verklaren uitsluitend voor eigen verantwoordelijkheid dat de producten waarop deze verklaring betrekking heeft, conform de volgende richtlijnen zijn:

- 2006/42/CE (Machine Directive)
- 2006/95/CE (Low Voltage Directive)
- 2004/108/CE (Electromagnetic Compatibility Directive)

en conform de volgende normen:

- EN 60335-1 : 02 (Household and Similar Electrical Appliances – Safety)
- EN 60335-2-41 : 03 (Particular Requirements for Pumps)
- EN 60204-1 : 06 (Electrical Equipment of Machines)
- EN 809 : 98 (Pumps and pump units for liquids - Common safety requirements)

**(SE) EG-FÖRSÄKRAN OM ÖVERENSSTÄMMELSE**

Vi, **DAB Pumps S.p.A. - Via M.Polo, 14 – Mestrino (PD) – Italy**, försäkrar under eget ansvar att produkterna som denna försäkran avser är i överensstämmelse med följande direktiv:

- 2006/42/CE (Machine Directive)
- 2006/95/CE (Low Voltage Directive)
- 2004/108/CE (Electromagnetic Compatibility Directive)

och följande standarder:

- EN 60335-1 : 02 (Household and Similar Electrical Appliances – Safety)
- EN 60335-2-41 : 03 (Particular Requirements for Pumps)
- EN 60204-1 : 06 (Electrical Equipment of Machines)
- EN 809 : 98 (Pumps and pump units for liquids - Common safety requirements)

**(FR) DÉCLARATION DE CONFORMITÉ CE**

Nous, **DAB Pumps S.p.A. - Via M.Polo, 14 – Mestrino (PD) – Italy**, déclarons sous notre responsabilité exclusive que les produits auxquels cette déclaration se réfère sont conformes aux directives suivantes:

- 2006/42/CE (Machine Directive)
- 2006/95/CE (Low Voltage Directive)
- 2004/108/CE (Electromagnetic Compatibility Directive)

ainsi qu'aux normes suivantes:

- EN 60335-1 : 02 (Household and Similar Electrical Appliances – Safety)
- EN 60335-2-41 : 03 (Particular Requirements for Pumps)
- EN 60204-1 : 06 (Electrical Equipment of Machines)
- EN 809 : 98 (Pumps and pump units for liquids - Common safety requirements)

**(DE) EG-KONFORMITÄTSERKLÄRUNG**

Wir, **DAB Pumps S.p.A. - Via M.Polo, 14 – Mestrino (PD) – Italy**, erklären unter unserer ausschließlichen Verantwortlichkeit, dass die Produkte auf die sich diese Erklärung bezieht, den folgenden Richtlinien:

- 2006/42/CE (Machine Directive)
- 2006/95/CE (Low Voltage Directive)
- 2004/108/CE (Electromagnetic Compatibility Directive)

sowie den folgenden Normen entsprechen:

- EN 60335-1 : 02 (Household and Similar Electrical Appliances – Safety)
- EN 60335-2-41 : 03 (Particular Requirements for Pumps)
- EN 60204-1 : 06 (Electrical Equipment of Machines)
- EN 809 : 98 (Pumps and pump units for liquids - Common safety requirements)

**(ES) DECLARACIÓN DE CONFORMIDAD CE**

Nosotros, **DAB Pumps S.p.A. - Via M.Polo, 14 – Mestrino (PD) – Italy**, declaramos bajo nuestra exclusiva responsabilidad que los productos a los que se refiere esta declaración son conformes con las directivas siguientes:

- 2006/42/CE (Machine Directive)
- 2006/95/CE (Low Voltage Directive)
- 2004/108/CE (Electromagnetic Compatibility Directive)

y con las normas siguientes:

- EN 60335-1 : 02 (Household and Similar Electrical Appliances – Safety)
- EN 60335-2-41 : 03 (Particular Requirements for Pumps)
- EN 60204-1 : 06 (Electrical Equipment of Machines)
- EN 809 : 98 (Pumps and pump units for liquids - Common safety requirements)

**(TR) CE UYGUNLUK BEYANNAMESİ**

Biz, **DAB Pumps S.p.A. - Via M.Polo, 14 – Mestrino (PD) – Italy**, Münhasır sorumluluğumuz altında olarak aşağıda belirtilen ve işbu beyannamenin ilişkin olduğu ürünlerin aşağıdaki direktiflere:

- 2006/42/CE (Machine Directive)
- 2006/95/CE (Low Voltage Directive)
- 2004/108/CE (Electromagnetic Compatibility Directive)

ve aşağıdaki standartlara uygun olduklarını beyan ederiz:

- EN 60335-1 : 02 (Household and Similar Electrical Appliances – Safety)
- EN 60335-2-41 : 03 (Particular Requirements for Pumps)
- EN 60204-1 : 06 (Electrical Equipment of Machines)
- EN 809 : 98 (Pumps and pump units for liquids - Common safety requirements)

**(RU) ЗАЯВЛЕНИЕ О СООТВЕТСТВИИ CE**

Мы, **DAB Pumps S.p.A. - Via M.Polo, 14 – Mestrino (PD) – Italy**, заявляем под полную нашу ответственность, что изделия к которым относится данное заявление, отвечают требованиям следующих директив:

- 2006/42/CE (Machine Directive)
- 2006/95/CE (Low Voltage Directive)
- 2004/108/CE (Electromagnetic Compatibility Directive)

и следующих нормативов:

- EN 60335-1 : 02 (Household and Similar Electrical Appliances – Safety)
- EN 60335-2-41 : 03 (Particular Requirements for Pumps)
- EN 60204-1 : 06 (Electrical Equipment of Machines)
- EN 809 : 98 (Pumps and pump units for liquids - Common safety requirements)

**(RO) DECLARAȚIE DE CONFORMITATE CE**

Noi, **DAB Pumps S.p.A. - Via M.Polo, 14 – Mestrino (PD) – Italy**, declarăm sub exclusivă noastră responsabilitate că produsele la care se referă această declarație sunt conforme cu următoarele directive:

- 2006/42/CE (Machine Directive)
- 2006/95/CE (Low Voltage Directive)
- 2004/108/CE (Electromagnetic Compatibility Directive)

și cu următoarele norme:

- EN 60335-1 : 02 (Household and Similar Electrical Appliances – Safety)
- EN 60335-2-41 : 03 (Particular Requirements for Pumps)
- EN 60204-1 : 06 (Electrical Equipment of Machines)
- EN 809 : 98 (Pumps and pump units for liquids - Common safety requirements)

**(GR) ΔΗΛΩΣΗ ΣΥΜΜΟΡΦΩΣΗΣ ΕΚ**

Η εταιρεία, **DAB Pumps S.p.A. - Via M.Polo, 14 – Mestrino (PD) – Italy**, Δηλώνει υπεύθυνα πως τα προϊόντα στα οποία αναφέρεται η παρούσα δήλωση, συμμορφώνονται με τις προδιαγραφές των παρακάτω οδηγιών:

- 2006/42/CE (Machine Directive)
- 2006/95/CE (Low Voltage Directive)
- 2004/108/CE (Electromagnetic Compatibility Directive)

και με τους παρακάτω κανονισμούς:

- EN 60335-1 : 02 (Household and Similar Electrical Appliances – Safety)
- EN 60335-2-41 : 03 (Particular Requirements for Pumps)
- EN 60204-1 : 06 (Electrical Equipment of Machines)
- EN 809 : 98 (Pumps and pump units for liquids - Common safety requirements)

**欧盟符合标准声明**

我们, 即 **DAB Pumps S.p.A. - Via M.Polo, 14 – Mestrino (PD) – Italy**, 基于独立承担责任的原则在此声明

本声明所涉及的这些产品符合以下指令:

- 2006/42/CE (Machine Directive)
- 2006/95/CE (Low Voltage Directive)
- 2004/108/CE (Electromagnetic Compatibility Directive)

同时还符合以下标准:

- EN 60335-1 : 02 (Household and Similar Electrical Appliances – Safety)
- EN 60335-2-41 : 03 (Particular Requirements for Pumps)
- EN 60204-1 : 06 (Electrical Equipment of Machines)
- EN 809 : 98 (Pumps and pump units for liquids - Common safety requirements)

Mestrino (PD), 03/06/2010

**(LT) ES ATITIKTIES DEKLARACIJA**

Mes, **DAB Pumps S.p.A. - Via M.Polo, 14 – Mestrino (PD) – Italy**, atsakingai pareiškiame, kad produktai atitinka šių direktyvų reikalavimus:

- 2006/42/CE (Machine Directive)
- 2006/95/CE (Low Voltage Directive)
- 2004/108/CE (Electromagnetic Compatibility Directive)

bei šių normų reikalavimus:

- EN 60335-1 : 02 (Household and Similar Electrical Appliances – Safety)
- EN 60335-2-41 : 03 (Particular Requirements for Pumps)
- EN 60204-1 : 06 (Electrical Equipment of Machines)
- EN 809 : 98 (Pumps and pump units for liquids - Common safety requirements)

**(PT) DECLARAÇÃO DE CONFORMIDADE CE**

Nós, **DAB Pumps S.p.A. - Via M.Polo, 14 – Mestrino (PD) – Italy**, declaramos sob nossa exclusiva responsabilidade que os produtos aos quais esta declaração diz respeito, estão em conformidade com as seguintes directivas:

- 2006/42/CE (Machine Directive)
- 2006/95/CE (Low Voltage Directive)
- 2004/108/CE (Electromagnetic Compatibility Directive)

e com as seguintes normas:

- EN 60335-1 : 02 (Household and Similar Electrical Appliances – Safety)
- EN 60335-2-41 : 03 (Particular Requirements for Pumps)
- EN 60204-1 : 06 (Electrical Equipment of Machines)
- EN 809 : 98 (Pumps and pump units for liquids - Common safety requirements)

(CE) شهادة مطابقة أوروبية

نحن

**DAB Pumps S.p.A. - Via M.Polo, 14 – Mestrino (PD) – Italy**

نصرّح تحت مسؤوليتنا الخاصة بأن المنتجات

التي إليها توجي هذه الشهادة مطابقة للأنظمة التالية:

2006/42/CE (Machine Directive)

2006/95/CE (Low Voltage Directive)

2004/108/CE (Electromagnetic Compatibility Directive)

وللأنظمة التالية.

EN 60335-1 : 02 (Household and Similar Electrical Appliances – Safety)

EN 60335-2-41 : 03 (Particular Requirements for Pumps)

EN 60204-1 : 06 (Electrical Equipment of Machines)

EN 809 : 98 (Pumps and pump units for liquids - Common safety requirements)

■ ■  
- 11  
Francesco Sinico  
Technical Director

---

## AQUADP

### (IT) DICHIARAZIONE DI CONFORMITÀ CE

Noi, **DAB Pumps S.p.A. - Via M.Polo, 14 – Mestrino (PD) – Italy**, dichiariamo sotto la nostra esclusiva responsabilità che i prodotti ai quali questa dichiarazione si riferisce sono conformi alle seguenti direttive:

- 2006/95/CE (Low Voltage Directive)
- 2004/108/CE (Electromagnetic Compatibility Directive)
- 97/23/CE (PED Directive)

ed alle seguenti norme:

- EN 60335-1 : 02 (Household and Similar Electrical Appliances – Safety)
- EN 60335-2-41 : 03 (Particular Requirements for Pumps)

### (GB) DECLARATION OF CONFORMITY CE

We, **DAB Pumps S.p.A. - Via M.Polo, 14 – Mestrino (PD) – Italy**, declare under our responsibility that the to which this declaration refers are in conformity with the following directives:

- 2006/95/CE (Low Voltage Directive)
- 2004/108/CE (Electromagnetic Compatibility Directive)
- 97/23/CE (PED Directive)

and with the following standards:

- EN 60335-1 : 02 (Household and Similar Electrical Appliances – Safety)
- EN 60335-2-41 : 03 (Particular Requirements for Pumps)

### (NL) EG-VERKLARING VAN OVEREENSTEMMING

Wij, **DAB Pumps S.p.A. - Via M.Polo, 14 – Mestrino (PD) – Italy**, verklaren uitsluitend voor eigen verantwoordelijkheid dat de producten waarop deze verklaring betrekking heeft, conform de volgende richtlijnen zijn:

- 2006/95/CE (Low Voltage Directive)
- 2004/108/CE (Electromagnetic Compatibility Directive)
- 97/23/CE (PED Directive)

en conform de volgende normen:

- EN 60335-1 : 02 (Household and Similar Electrical Appliances – Safety)
- EN 60335-2-41 : 03 (Particular Requirements for Pumps)

### (SE) EG-FÖRSÄKRAN OM ÖVERENSSTÄMMELSE

Vi, **DAB Pumps S.p.A. - Via M.Polo, 14 – Mestrino (PD) – Italy**, försäkrar under eget ansvar att produkterna som denna försäkran avser är i överensstämmelse med följande direktiv:

- 2006/95/CE (Low Voltage Directive)
- 2004/108/CE (Electromagnetic Compatibility Directive)
- 97/23/CE (PED Directive)

och följande standarder:

- EN 60335-1 : 02 (Household and Similar Electrical Appliances – Safety)
- EN 60335-2-41 : 03 (Particular Requirements for Pumps)

### (RU) ЗАЯВЛЕНИЕ О СООТВЕТСТВИИ CE

Мы, **DAB Pumps S.p.A. - Via M.Polo, 14 – Mestrino (PD) – Italy**, заявляем под полную нашу ответственность, что изделия к которым относится данное заявление, отвечают требованиям следующих директив:

- 2006/95/CE (Low Voltage Directive)
- 2004/108/CE (Electromagnetic Compatibility Directive)
- 97/23/CE (PED Directive)

и следующих нормативов:

- EN 60335-1 : 02 (Household and Similar Electrical Appliances – Safety)
- EN 60335-2-41 : 03 (Particular Requirements for Pumps)

### (FR) DÉCLARATION DE CONFORMITÉ CE

Nous, **DAB Pumps S.p.A. - Via M.Polo, 14 – Mestrino (PD) – Italy**, déclarons sous notre responsabilité exclusive que les produits auxquels cette déclaration se réfère sont conformes aux directives suivantes:

- 2006/95/CE (Low Voltage Directive)
- 2004/108/CE (Electromagnetic Compatibility Directive)
- 97/23/CE (PED Directive)

ainsi qu'aux normes suivantes:

- EN 60335-1 : 02 (Household and Similar Electrical Appliances – Safety)
- EN 60335-2-41 : 03 (Particular Requirements for Pumps)

### (DE) EG-KONFORMITÄTSERKLÄRUNG

Wir, **DAB Pumps S.p.A. - Via M.Polo, 14 – Mestrino (PD) – Italy**, erklären unter unserer ausschließlichen Verantwortlichkeit, dass die Produkte auf die sich diese Erklärung bezieht, den folgenden Richtlinien:

- 2006/95/CE (Low Voltage Directive)
- 2004/108/CE (Electromagnetic Compatibility Directive)
- 97/23/CE (PED Directive)

sowie den folgenden Normen entsprechen:

- EN 60335-1 : 02 (Household and Similar Electrical Appliances – Safety)
- EN 60335-2-41 : 03 (Particular Requirements for Pumps)

### (ES) DECLARACIÓN DE CONFORMIDAD CE

Nosotros, **DAB Pumps S.p.A. - Via M.Polo, 14 – Mestrino (PD) – Italy**, declaramos bajo nuestra exclusiva responsabilidad que los productos a los que se refiere esta declaración son conformes con las directivas siguientes:

- 2006/95/CE (Low Voltage Directive)
- 2004/108/CE (Electromagnetic Compatibility Directive)
- 97/23/CE (PED Directive)

y con las normas siguientes:

- EN 60335-1 : 02 (Household and Similar Electrical Appliances – Safety)
- EN 60335-2-41 : 03 (Particular Requirements for Pumps)

### (TR) CE UYGUNLUK BEYANNAMESİ

Biz, **DAB Pumps S.p.A. - Via M.Polo, 14 – Mestrino (PD) – Italy**, Münhasır sorumluluğumuz altında olarak aşağıda belirtilen ve işbu beyannamenin ilişkin olduğu ürünlerin aşağıdaki direktiflere:

- 2006/95/CE (Low Voltage Directive)
- 2004/108/CE (Electromagnetic Compatibility Directive)
- 97/23/CE (PED Directive)

ve aşağıdaki standartlara uygun olduklarımızı beyan ederiz:

- EN 60335-1 : 02 (Household and Similar Electrical Appliances – Safety)
- EN 60335-2-41 : 03 (Particular Requirements for Pumps)

### (LT) ES ATITIKTIES DEKLARACIJA

Mes, **DAB Pumps S.p.A. - Via M.Polo, 14 – Mestrino (PD) – Italy**, atsakingai pareiškiamo, kad produktai atitinka šių direktyvų reikalavimus:

- 2006/95/CE (Low Voltage Directive)
- 2004/108/CE (Electromagnetic Compatibility Directive)
- 97/23/CE (PED Directive)

bei šių normų reikalavimus:

- EN 60335-1 : 02 (Household and Similar Electrical Appliances – Safety)
  - EN 60335-2-41 : 03 (Particular Requirements for Pumps)
-

**(RO) DECLARAȚIE DE CONFORMITATE CE**

Noi, **DAB Pumps S.p.A. - Via M.Polo, 14 – Mestrino (PD) – Italy**, declarăm sub exclusivă noastră responsabilitate că produsele la care se referă această declarație sunt conforme cu următoarele directive:

- 2006/95/CE (Low Voltage Directive)
- 2004/108/CE (Electromagnetic Compatibility Directive)
- 97/23/CE (PED Directive)

și cu următoarele norme:

- EN 60335-1 : 02 (Household and Similar Electrical Appliances – Safety)
- EN 60335-2-41 : 03 (Particular Requirements for Pumps)

**(GR) ΔΗΛΩΣΗ ΣΥΜΜΟΡΦΩΣΗΣ ΕΚ**

Η εταιρεία, **DAB Pumps S.p.A. - Via M.Polo, 14 – Mestrino (PD) – Italy**, Δηλώνει υπεύθυνα πως τα προϊόντα στα οποία αναφέρεται η παρούσα δήλωση, συμμορφώνονται με τις προδιαγραφές των παρακάτω οδηγιών:

- 2006/95/CE (Low Voltage Directive)
- 2004/108/CE (Electromagnetic Compatibility Directive)
- 97/23/CE (PED Directive)

και με τους παρακάτω κανονισμούς:

- EN 60335-1 : 02 (Household and Similar Electrical Appliances – Safety)
- EN 60335-2-41 : 03 (Particular Requirements for Pumps)

**欧盟符合标准声明**

我们, 即 **DAB Pumps S.p.A. – Via M.Polo, 14 – Mestrino (PD) – Italy**, 基于独立承担责任的原则在此声明

本声明所涉及的这些产品符合以下指令:

- 2006/95/CE (Low Voltage Directive)
- 2004/108/CE (Electromagnetic Compatibility Directive)
- 97/23/CE (PED Directive)

同时还符合以下标准:

- EN 60335-1 : 02 (Household and Similar Electrical Appliances – Safety)
- EN 60335-2-41 : 03 (Particular Requirements for Pumps)

Mestrino (PD), 03/06/2010

**(PT) DECLARAÇÃO DE CONFORMIDADE CE**

Nós, **DAB Pumps S.p.A. - Via M.Polo, 14 – Mestrino (PD) – Italy**, declaramos sob nossa exclusivă responsabilidade que os produtos aos quais esta declaração diz respeito, estão em conformidade com as seguintes directivas:

- 2006/95/CE (Low Voltage Directive)
- 2004/108/CE (Electromagnetic Compatibility Directive)
- 97/23/CE (PED Directive)

e com as seguintes normas:

- EN 60335-1 : 02 (Household and Similar Electrical Appliances – Safety)
- EN 60335-2-41 : 03 (Particular Requirements for Pumps)

شهادة مطابقة أوروبية (CE)  
نحن

**DAB Pumps S.p.A. – Via M.Polo, 14 – Mestrino (PD) – Italy**

نصرح تحت مسؤوليتنا الخاصة بأن المنتجات

التي إليها توحى هذه الشهادة مطابقة للأنظمة التالية:

- 2006/95/CE (Low Voltage Directive)
- 2004/108/CE (Electromagnetic Compatibility Directive)
- 97/23/CE (PED Directive)

وللأنظمة التالية:

- EN 60335-1 : 02 (Household and Similar Electrical Appliances Safety)

- EN 60335-2-41 : 03 (Particular Requirements for Pumps)

■  
■  
- ' ' ■  
Francesco Sinico  
Technical Director

	СОДЕРЖАНИЕ	стр.
1.	<b>ОБЩИЕ СВЕДЕНИЯ</b>	56
2.	<b>СФЕРЫ ПРИМЕНЕНИЯ</b>	56
3.	<b>РАБОЧИЕ ЖИДКОСТИ</b>	57
4.	<b>ТЕХНИЧЕСКИЕ ДАННЫЕ И ОГРАНИЧЕНИЯ В ЭКСПЛУАТАЦИИ</b>	57
5.	<b>УПРАВЛЕНИЕ</b>	58
5.1.	Складирование	58
5.2.	Перевозка	58
5.3.	Вес	58
6.	<b>ПРЕДУПРЕЖДЕНИЯ</b>	59
6.1.	Специализированный персонал	59
6.2.	Безопасность	59
6.3.	Проверка вращения вала двигателя	59
6.4.	Ответственность	59
7.	<b>МОНТАЖ</b>	59
8.	<b>ЭЛЕКТРОПРОВОДКА</b>	60
9.	<b>ЗАПУСК</b>	60
10.	<b>ПРЕДОСТОРОЖНОСТИ</b>	60
11.	<b>ТЕХНИЧЕСКОЕ ОБСЛУЖИВАНИЕ И ЧИСТКА</b>	60
12.	<b>ИЗМЕНЕНИЯ И ЗАПАСНЫЕ ЧАСТИ</b>	61
12.1	Съем и замена кабеля электропитания	61
13.	<b>ОБНАРУЖЕНИЕ И УСТРАНЕНИЕ НЕИСПРАВНОСТЕЙ</b>	62

## 1. ОБЩИЕ СВЕДЕНИЯ



**Перед началом монтажа внимательно прочитайте данную документацию.** Монтаж и эксплуатация должны соответствовать правилам по безопасности, действующим в стране, в которой устанавливается изделие. Все операции должны осуществляться по правилам мастерства.

Несоблюдение правил по безопасности подвергает риску персонал и может привести к повреждению оборудования, а также аннулирует право на гарантийное обслуживание.

## 2. СФЕРЫ ПРИМЕНЕНИЯ

**КР 38/18 - КР 38/18 оснащ. - КР 60/6 - КР 60/12:** Насос периферийного типа для домашнего использования компактной конструкции, способен обеспечивать высокий напор водоснабжения, используется для мелких садовых работ, опорожнения и наполнения цистерн. Пригоден также для мелких промышленных нужд.

**КРА 40/20:** водокольцевые насосы со звездообразной крыльчаткой с отличной всасывающей способностью также при наличии пузырьков воздуха или при непостоянном наличии всасываемой жидкости. Широко используется для водоснабжения домашних водопроводных систем, для повышения давления или для стабилизации водоснабжения (при соблюдении местных нормативов), для выкачивания жидкостей из колодцев. Используется для малого орошения садов и огородов и везде, где требуется самонаполнение. Пригодны также для мелких промышленных нужд.

**JET 200 - JET 300 - JET 151 - JET 251:** Центробежные струйные самозаливающиеся насосы с хорошей всасывающей способностью также при наличии газа в воде. Широко используется для водоснабжения и подпора в отдельных жилых постройках. Пригоден для малых сельскохозяйственных работ в садах и огородах, а также для малых экстренных случаев и для промышленных нужд.

**DP 81 - DP 82 - DP 100 - DP 102 - DP 151 - DP 251 - AQUADP 82/20 - AQUADP 102/20 - AQUADP 151/40 - AQUADP 251/40:** Центробежные самозаливающиеся насосы для глубинного выкачивания вплоть до 30 метров с эжектором от 4 дюймов и больше. Используется для водоснабжения отдельных жилых строений и в малом сельском хозяйстве.

**EURO - EUROINOX и прочие модели этой серии:** многоступенчатый центробежный самозаливающийся насос с горизонтальным валом. Пригоден для домашнего или промышленного использования в водопроводных системах для водоснабжения и подпора. В сельском хозяйстве используется для малого орошения и для мойки садового инвентаря и машин. Пригоден для использования также с газированной водой. Рециркуляция воды производится только в процессе заливки, после чего максимальный расход обеспечивает непрерывную и стабильную подачу. Все эти качества делают этот насос пригодным для использования в самых разных сферах.

**К 20/41 - К 30/70 - К 30/100 - К 36/100 - К 12/200 - К 14/400:** центробежные насосы с одинарной крыльчаткой пригодны для выкачивания воды в домашних, промышленных и сельскохозяйственных установках. Отличные характеристики для перекачивания жидкостей и смешивания.

**К 35/40 - К 45/50 - К 55/50 - К 35/100 - К 40/100:** центробежные насосы с двумя крыльчатками (расположенными одна напротив другой в моделях К 35/40 - К 45/50 - К 55/50) характеризуются особо бесшумным функционированием. Широко используются для групп подпора в водопроводных системах и для наполнения автоклавов. Пригодны также для орошения и для многих других применений в самых различных сферах.

3. РАБОЧИЕ ЖИДКОСТИ



Насос спроектирован и сконструирован для перекачивания воды, несодержащей взрывоопасных веществ, твердых частиц или волокон с плотностью, равной 1000 кг/м<sup>3</sup> и с кинематической вязкостью, равной 1 мм<sup>2</sup>/сек, и химически неагрессивных жидкостей.

4. ТЕХНИЧЕСКИЕ ДАННЫЕ И ОГРАНИЧЕНИЯ В ЭКСПЛУАТАЦИИ

- Напряжение электропитания: 220 В – 240В 50 Гц / 110 В 50 Гц  
115 В 60 Гц / 230 В 60 Гц  
230 В 3 – 400 В 3 50/60 Гц (см. эл. данные на заводской табличке)
- Поглощаемая мощность: см. эл. данные на заводской табличке
- Расход: от 0,06 до 37 м<sup>3</sup>/час
- Напор – Нмах (м): стр. 99
- Рабочая жидкость: чистая, без твердых или абразивных частиц, неагрессивная.
- Класс эл. безопасности двигателя: IP44 (Для IP55 см. табличку на упаковке).
- Класс эл. безопасности зажимной коробки: IP55
- Класс предохранения: F
- Кабельный сальник: PG 11 и/или PG 13,5 в зависимости от модели
- Плавкие предохранители категории АМ:

Модель	Плавкие предохранители (Ампер)			
	110 В 50 Гц 115 В 60 Гц	220-240 В 50 Гц 230 В 60 Гц	230 В 3 50/60 Гц	400 В 3 50/60 Гц
КР 38/18, КР 38/18 оснащ., КР 60/6, DP 81, DP 82, AQUADP 82/20 К 20/41	8	4	4	2
КРА 40/20	8	6	4	2
КР 60/12	--	6	4	4
EURO 40/30-40/306 / 30/50-30/506 / 25/80-25/806 EUROINOX 40/30-40/306 / 30/50-30/506 / 25/80-25/806 EUROCOM 25/80-25/806 / 30/50-30/506 EUROCOM SP 30/50-30/506	10	6	4	4
EURO 25/30-25/306 / 30/30-30/306 EUROINOX 25/30-25/306 / 30/30-30/306 EUROCOM 25/30-25/306 / 30/30-30/306 GARDEN-INOX 30/30	8	4	4	4
EURO 40/50-40/506 / 30/80-30/806 EUROINOX 40/50-40/506 / 30/80-30/806 EUROCOM 40/50-40/506 / 30/80-30/806 EUROCOM SP 40/50-40/506 GARDEN-INOX 40/50	12	6	6	4
EURO 50/50-50/506 / 40/80-40/806 EUROINOX 50/50-50/506 / 40/80-40/806	20	8	6	4
К 12/200, К 30/70, К 35/40, DP 100, DP 102, AQUADP 102/20	12	6	6	4
К 30/100	16	8	6	4
JET 151, К 35/100	20	10	6	4
К 40/100, К 36/100, К 45/50, DP 151, AQUADP 151/40	20	10	8	4
JET 200, К 14/400	20	10	8	6
JET 251	25	12	8	6
JET 300, К 55/50, DP 251, AQUADP 251/40	32	16	10	6
<b>Макс. Рабочее давление:</b>	6 бар (600 кПа):	DP 81, DP 82, DP 100, DP 102, AQUADP 82/20, AQUADP 102/20 EURO, EUROINOX, EUROCOM, EUROCOM SP, GARDEN-INOX К 35/40, К 35/100, К 40/100, К 20/41, К 30/70, К 30/100, К 36/100, К 12/200, К 14/400		
	7,5 бар (750 кПа):	JET 151, JET 251, JET 200, JET 300 DP 151, DP 251, AQUADP 151/40, AQUADP 251/40		
	8 бар (800 кПа):	К 45/50, К 55/50		
	10 bar (1000 kPa):	КР 60/6, КР 60/12, КР 38/18 КРА 40/20		

<b>Температурный диапазон жидкости:</b>	0 ÷ +35°C:	Для всех электронасосов, сертифицированных EN 60335-2-41 (для домашнего использования)
	0 ÷ +40°C:	JET 151, JET 251, JET 200, JET 300 DP 81, DP 82, DP 100, DP 102, DP151, DP 251 AQUADP 82/20, AQUADP 102/20, AQUADP 151/40, AQUADP 251/40
	-10 ÷ +50°C:	К 20/41, К 30/70, К 30/100, К 36/100, К 12/200, К 35/40, К 45/50, К 35/100, К 40/100 КР 38/18
	-10 ÷ +80°C:	КР 60/6, КР 60/12 КРА 40/20
	-15 ÷ +110°C:	К 14/400, К 55/50

- **Температура складирования:** -10°C +40°C
- **Относительная влажность воздуха:** MAX 95%
- **Шумовой уровень:**
  - шумовой уровень насосов для наружного использования соответствует Директиве 2000/14/СЕ.
  - шумовой уровень других насосов соответствует Директиве ЕС 89/392/СЕЕ и последующим изменениям.
- **Конструкция двигателей:** соответствует нормативам CEI 2-3 - CEI 61-69 (EN 60335-2-41).
- **Номинальное сечение проводов кабелей электропитания должно быть не менее сечения, указанного в таблице ниже:**

Номинальный ток агрегата А			Номинальное сечение мм <sup>2</sup>
		≤ 0,2	Плоские двойные мишурные шнуры <sup>a</sup> 0,5 <sup>a</sup> 0,75 1,0 (0,75) <sup>b</sup> 1,5 (1,0) <sup>b</sup> 2,5 4 6 10
> 0,2	и	≤ 3	
> 3	и	≤ 6	
> 6	и	≤ 10	
> 10	и	≤ 16	
> 16	и	≤ 25	
> 25	и	≤ 32	
> 32	и	≤ 40	
> 40	и	≤ 63	
<sup>a</sup> Эти провода могут быть использованы, только если их длина не превышает 2 м от точки, в которой провод или его оплетка входит в агрегат или выходит из штепсельной вилки. <sup>b</sup> Провода с сечением, указанным в скобках, могут быть использованы для <b>переносных агрегатов</b> , если их длина не превышает 2 м.			

## 5. ОБРАЩЕНИЕ

### 5.1 Складирование

Все насосы должны храниться в крытом, сухом помещении, по возможности с неизменной влажностью воздуха, без вибраций и пыли.

Насосы поставляются в оригинальной упаковке, в которой они должны оставаться вплоть до момента их монтажа. В противном случае необходимо тщательно закрыть отверстия всасывания и подачи.

### 5.2 Перевозка

Избегать лишних ударов и столкновений изделий.

Для подъема и перемещения узлов использовать автопогрузчики с прилагающимся стандартным поддоном (если он предусмотрен).

### 5.3 Вес

На табличке, наклеенной на упаковке, указан общий вес электронасоса.

## 6. ПРЕДУПРЕЖДЕНИЯ

### 6.1 Специализированный персонал



Рекомендуется, чтобы монтаж производился компетентным и квалифицированным персоналом, обладающим техническими навыками в соответствии со специфическими нормативами в данной области. Под квалифицированным персоналом подразумевается персонал, который получил образование, опыт и навыки, а также знаком с соответствующими нормативами, указаниями и инструкциями по предотвращению несчастных случаев и с рабочими условиями, уполномочен ответственным за безопасность на фабрике выполнять любые необходимые операции и уметь распознавать в них любой риск. (Определение технического персонала IEC 364)

Агрегат не предназначен для использования лицами (включая детей) с физическими, сенсорными или умственными ограничениями, или же не имеющими опыта или знания обращения с агрегатом, если это использование не осуществляется под контролем лиц, ответственных за их безопасность, или после обучения использованию агрегата. Следите, чтобы дети не играли с агрегатом. (EN 60335-1: 02)

### 6.2 Безопасность

Использование насоса разрешается, только если электропроводка соответствует нормативам по безопасности в соответствии с нормативами, действующими в стране, в которой устанавливается насос (для Италии - CEI 64/2).

### 6.3 Проверка вращения вала насоса

Перед монтажом насоса необходимо проверить, чтобы подвижные части вращались свободно. С этой целью снять картер крыльчатки с гнезда задней крышки двигателя и повернуть отвертку в шлице на вале двигателя со стороны вентиляции. Если вал заблокирован, повернуть отвертку, слегка постукивая по ней молотком. **Рис. А**

### 6.4 Ответственность



Производитель не несет ответственность за хорошее функционирование электронасосов или за возможный ущерб, причиненный электронасосами, если насосы подвергаются неуполномоченным вмешательствам, изменениям и/или используются с превышением рекомендованных рабочих параметров или с несоблюдением прочих инструкций, приведенных в данном руководстве по эксплуатации.

Кроме того производитель снимает с себя всякую ответственность за возможные неточности, которые могут встретиться в данном руководстве по эксплуатации, если эти неточности являются причиной опечаток или типографских ошибок. Производитель оставляет за собой право вносить в свои изделия все изменения, которые он сочтет необходимыми или полезными, не компрометируя их основных характеристик.

## 7. МОНТАЖ



**После испытаний в насосах может остаться немного воды.**

**Рекомендуем произвести короткую промывку чистой водой перед окончательным монтажом.**

7.1 Электронасос должен быть установлен в хорошо проветриваемом месте, должен быть защищен от влияния погодных условий, с температурой окружающей среды, не превышающей 40°C. **Рис. В**

7.2 Прочно прикрепить насос к опорному основанию для поглощения возможных вибраций, возникающих в процессе функционирования насоса. **Рис. С**

7.3 Следует избегать, чтобы металлические трубопроводы сообщали чрезмерную нагрузку на отверстия насоса во избежание деформаций или разрывов. **Рис. С**

7.4 **Неизменно хорошим правилом является устанавливать насос как можно ближе к перекачиваемой жидкости.** Насос должен быть установлен исключительно в горизонтальном положении. Внутренний диаметр трубопроводов никогда не должен быть меньше диаметра отверстий электронасоса, а также на всасывании рекомендуется установить донный клапан. **Рис. D.** Для глубины всасывания, превышающей четыре метра, или при наличии длинных горизонтальных отрезков рекомендуется использовать трубу всасывания с диаметром, большим диаметра всасывающего отверстия электронасоса. Во избежание образования воздушных мешков во всасывающем трубопроводе предусмотреть небольшой подъем всасывающей трубы в сторону насоса. **Рис. D**

7.5 Если всасывающий трубопровод выполнен из резины или из гибкого материала необходимо всегда проверять, чтобы он был упроченного типа во избежание его сужений под воздействием всасывания.

7.6 Во всех насосах, для которых предусмотрена переносная версия, ручка для подъема и перемещения должна всегда иметься и должна быть прочно прикреплена.

7.7 В инструкциях по монтажу насосов для садовых фонтанов и прудов, а также для других подобных назначений должно быть указано, что на линии электропитания насоса должен быть установлен дифференциальный разъединитель, рабочий номинальный дифференциальный ток которого не превышает 30 мА.

## 8. ЭЛЕКТРОПРОВОДКА:

**Внимание: всегда соблюдать правила по безопасности!**



**Строго следовать указаниям, приведенным на электрических схемах внутри зажимной коробки.**

8.1 Электрическое подсоединение должно осуществляться опытным уполномоченным электриком, полностью отвечающим за все операции.

8.2 Проверить, чтобы напряжение сети электропитания соответствовало напряжению, указанному на заводской табличке двигателя, и чтобы было возможно **ПРОИЗВЕСТИ НАДЛЕЖАЩЕЕ СОЕДИНЕНИЕ ЗАЗЕМЛЕНИЯ**. Рис. Е, В частности, зажим заземления должен быть подсоединен к желто-зеленому проводу электропитания. Необходимо также использовать провод заземления более длинный по сравнению с проводами фаз во избежание его отсоединения в первую очередь в случае натяжения.

8.3 В фиксированных версиях Международные Нормативы предусматривают использование выключателей-разъединителей с плавкой вставкой предохранителей.

8.4 Монофазные двигатели оснащены термоамперметрическим встроенным предохранением и могут быть подсоединены к сети напрямую. Трехфазные двигатели должны предохраняться автоматическим выключателем (наприм., магнитно-тепловым), настроенным на данные на шильдике электронасоса, или плавкими предохранителями согласно расчету, указанному в разделе 4.

## 9. ЗАПУСК

9.1



**Не запускать насос, если он полностью не залит жидкостью.**

Перед запуском проверить, чтобы насос был залит жидкостью надлежащим образом, выполнив его полное наполнение чистой водой через специальное отверстие, вынув пробку залива, расположенную на корпусе насоса. Данная операция является чрезвычайно важной для хорошего функционирования насоса. Важно также, чтобы механическое уплотнение было хорошо смазано. (Рис. F). **Функционирование всухую ведет к непоправимым повреждениям механического уплотнения.** По завершении операции плотно закрутить пробку залива.

9.2 Подключить напряжение и проверить для трехфазных двигателей правильность направления вращения, которое, если смотреть на двигатель со стороны крыльчатки, должно осуществляться по часовой стрелке **Рис. G**. В противном случае поменять местами любые два провода фазы, отсоединив насос от сети электропитания.

## 10. ПРЕДОСТОРОЖНОСТИ

10.1 Никогда не запускать насос чаще 20 раз в час во избежание чрезмерного перегрева двигателя.

10.2 **ОПАСНОСТЬ ЗАМЕРЗАНИЯ:** в случае длительного простоя насоса при температуре ниже 0°C необходимо полностью слить жидкость из корпуса насоса через сливную пробку **Рис. H** во избежание возможных потрескиваний гидравлических компонентов. Рекомендуется выполнять эту операцию также в случае длительного простоя при нормальной температуре.

10.3 При запуске насоса после длительного периода простоя необходимо заново выполнить вышеописанные операции по запуску.

## 11. ТЕХНИЧЕСКОЕ ОБСЛУЖИВАНИЕ И ЧИСТКА



При нормальной эксплуатации электронасос не нуждается в каком-либо техническом обслуживании. Тем не менее может потребоваться произвести чистку гидравлических частей, если будет обнаружено определенное сокращение эффективности. **Электронасос может быть разобран только специализированным и квалифицированным персоналом, отвечающим требованиям специфических нормативов в данной области.** В любом случае все операции по ремонту и техническому обслуживанию должны осуществляться после того, как насос будет отсоединен от сети электропитания.

## 12. ИЗМЕНЕНИЯ И ЗАПАСНЫЕ ЧАСТИ



Любое заранее неуполномоченное изменение насоса снимает с производителя всякую ответственность. Все запасные части, используемые при ремонте, должны быть оригинальными, и все вспомогательные детали должны быть утверждены производителем, что гарантирует максимальную безопасность устройств и систем, в которых они могут быть установлены.



В случае повреждения кабеля электропитания данного устройства его починка должна осуществляться специализированным персоналом во избежание какого-либо риска.

### 12.1 Снятие и замена кабеля электропитания

Перед осуществлением этих операций необходимо убедиться, чтобы электронасос не был подсоединен к сети электропитания.

#### А) Для моделей без реле давления

Снять крышку зажимной коробки, отвинтив расположенные на ней четыре винта. Отвинтить три зажима L - N -  $\oplus$  и вынуть коричневый, синий и желто-зеленый провода, выходящие из кабеля электропитания, отвинтив перед этим кабельный сальник.

#### В) Модели с реле давления типа SQUARE D

- **Отрезок кабеля с вилкой, идущий от реле давления:** отвинтить отверткой винт крышки реле давления и снять крышку. Вынуть желто-зеленый провод, отвинтив винт заземления, синий и коричневый провода с соответствующих боковых зажимов, отвинтив соответствующие винты. Вынуть зажим блокировки кабеля, отвинтив соответствующие винты, и таким образом вынуть отсоединенный кабель.
- **Отрезок кабеля, идущий от реле давления к зажимной коробке:** отвинтить отверткой гайку крышки реле давления и снять крышку. Вынуть желто-зеленый провод, отвинтив винт заземления, синий и коричневый провод с соответствующих центральных зажимов, отвинтив соответствующие винты. Вынуть зажим блокировки кабеля, отвинтив соответствующие винты, и таким образом вынуть отсоединенный кабель. Снять крышку зажимной коробки, отвинтив расположенные на ней четыре винта. Отвинтить три зажима L - N -  $\oplus$  и вынуть коричневый, синий и желто-зеленый провода, выходящие из реле давления, отвинтив перед этим кабельный сальник.

#### С) Модели с реле давления типа:

##### TELEMECANIQUE / SQUARE D – TELEMECANIQUE / ITALTECNICA

- **Отрезок кабеля с вилкой, идущий от реле давления:** отвинтить отверткой винт крышки реле давления и снять крышку, отсоединяя ее от основания реле давления. Вынуть желто-зеленый провод, отвинтив винт заземления с левой стороны. Вынуть с той же стороны синий и коричневый провода с соответствующих зажимов, отвинтив соответствующие винты. Ослабить гайку кабельного сальника реле давления с левой стороны и таким образом вынуть отсоединенный кабель.
- **Отрезок кабеля, идущий от реле давления к зажимной коробке:** отвинтить отверткой винт крышки реле давления и снять крышку, отсоединяя ее от основания реле давления. Вынуть желто-зеленый провод, отвинтив винт заземления с правой стороны. Вынуть с той же стороны синий и коричневый провода с соответствующих зажимов, отвинтив соответствующие винты. Ослабить гайку кабельного сальника реле давления с правой стороны и таким образом вынуть отсоединенный кабель. Снять крышку зажимной коробки, отвинтив расположенные на ней четыре винта. Отвинтить три зажима L - N -  $\oplus$  и вынуть коричневый, синий и желто-зеленый провода, выходящие из реле давления, отвинтив перед этим кабельный сальник.

Замена кабеля электропитания должна осуществляться, используя кабель того же типа (например, H05 RN-F или H07 RN-F в зависимости от типа монтажа) и имеющий такой же разъем, выполняя операции в обратном порядке.

**ВНИМАНИЕ:** в зависимости от типа монтажа и в случае электронасосов, не имеющих кабель, установить кабель электропитания типа H05 RN-F для внутреннего использования и типа H07 RN-F для наружного использования, оснащенные вилкой (EN 60335-2-41). Для кабелей электропитания без вилки необходимо предусмотреть устройство отсоединения от сети электропитания (например, термоманитный выключатель) с контактами разъединения не менее 3 мм на каждый полюс.

13. ОБНАРУЖЕНИЕ И УСТРАНЕНИЕ НЕИСПРАВНОСТЕЙ

НЕИСПРАВНОСТИ	ПРОВЕРКИ (возможные причины)	МЕТОДЫ УСТРАНЕНИЯ
1. Двигатель не запускается и не издает звуков.	A. Проверить электрические соединения. B. Проверить, чтобы двигатель был под напряжением. C. Проверить плавкие предохранители.	C. Если они сгорели, заменить их. <b>Примечание:</b> если неисправность сразу же повторяется, это означает короткое замыкание двигателя.
2. Двигатель не запускается, но издает звуки.	A. Проверить, чтобы напряжение в сети соответствовало значению на заводской табличке. B. Проверить, чтобы соединения были выполнены правильно. C. Проверить наличие всех фаз в зажимной коробке. (3 ~) D. Произвести поиск возможных засоров насоса или двигателя. E. Проверить состояние конденсатора.	B. Исправить в случае ошибки. C. При необходимости восстановить отсутствующую фазу. D. Удалить засоры. E. Заменить конденсатор.
3. Затруднительное вращение двигателя.	A. Проверить, чтобы напряжение электропитания было достаточным. B. Проверить возможные трения между подвижными и фиксированными деталями.	B. Устранить причины трения.
4. Насос не производит подачу.	A. Насос был залит неправильно. B. Проверить правильное направление вращения трехфазных двигателей. C. Недостаточный диаметр всасывающей трубы. D. Засорен донный клапан.	A. Залить водой насос и всасывающую трубу, если она не является самозаливающейся, и произвести наполнение. B. Поменять местами два провода электропитания. C. Заменить трубу на другую с большим диаметром. D. Прочистить донный клапан.
5. Насос не заливается.	A. Всасывающая труба или донный клапан засасывают воздух. B. Отрицательный уклон всасывающей трубы способствует образованию воздушных мешков.	A. Устранить это явление и повторить заливку. B. Исправить наклон всасывающей трубы.
6. Насос не обеспечивает необходимый расход.	A. Засорен донный клапан. B. Крыльчатка износилась или засорена. C. Недостаточный диаметр всасывающей трубы. D. Проверить правильное направление вращения трехфазных двигателей.	A. Прочистить донный клапан. B. Удалить засоры или заменить изношенные детали. C. Заменить трубу на другую с большим диаметром. D. Поменять местами два провода электропитания.
7. Насос вибрирует и издает сильный шум.	A. Проверить, чтобы насос и трубы были прочно закреплены. B. Кавитация насоса, т.е. потребность в воде превышает возможности насоса. C. Насос функционирует с превышением значений заводской таблички.	A. Более тщательно закрепить ослабленные части. B. Сократить высоту всасывания или проверить потерю нагрузки. C. Может потребоваться ограничить расход на подаче.

<b>Modello / Modèle / Model</b> <b>Modell / Model</b> <b>Modelo / Modell / Model</b> <b>Модель / Μοντέλο / نموذج</b>	<b>Prevalenza / Hauteur d'élévation / Head up</b> <b>Förderhöhe / Overwicht / Prevalencia</b> <b>Maximal pumphöjd / Manometrik yükseklik</b> <b>Напор / Μανομετρικό / التفوق</b>	
	<i>Hmax (m.) 2 poles</i> <b>50 Hz</b>	<i>Hmax (m.) 2 poles</i> <b>60 Hz</b>
JET 200	46.5	42.3
JET 300	51	52
JET 151	61	62
JET 251	62	63
EURO 15/30	24.3	
EURO 20/50	28.5	
EURO 25/30 – 25/306	34.4	35.9
EURO 30/30 – 30/306	46	48.2
EURO 40/30 – 40/306	57	58.8
EURO 30/50 – 30/506	42.2	38.8
EURO 40/50 – 40/506	57.7	55
EURO 50/50 – 50/506	72	66.1
EURO 25/80 – 25/806	34	35.8
EURO 30/80 – 30/806	47.3	49.5
EURO 40/80 – 40/806	59	62
EUROINOX 15/30	24.3	
EUROINOX 20/50	28.5	
EUROINOX 25/30 – 25/306	35	35.9
EUROINOX 30/30 – 30/306	46	49
EUROINOX 40/30 – 40/306	57	58.8
EUROINOX 30/50 – 30/506	42.2	38.8
EUROINOX 40/50 – 40/506	58	54
EUROINOX 50/50 – 50/506	72	66
EUROINOX 25/80 – 25/806	34	37
EUROINOX 30/80 – 30/806	47.3	52
EUROINOX 40/80 – 40/806	59	60
EUROCOM 25/30 – 25/306	34.4	35.9
EUROCOM 30/30 – 30/306	46	48
EUROCOM 30/50 – 30/506	42.2	38.8
EUROCOM 40/50 – 40/506	57.7	54
EUROCOM 25/80 – 25/806	34	35.8
EUROCOM 30/80 – 30/806	47.3	49.2
EUROCOM SP 30/50 – 30/506	42.2	38.8
EUROCOM SP 40/50 – 40/506	57.7	53.8
GARDEN-INOX 30/30	46	
GARDEN-INOX 40/50	57.7	
K 20/41	22	24.1
K 30/70	32.5	33
K 30/100	29.2	30.8
K 36/100	34.9	36.4
K 12/200	18.4	19.2
K 14/400	19	18.5
K 35/40	44	44.4
K 45/50	51	53.5
K 55/50	62	60

<b>Modello / Modèle / Model Modell / Model Modelo / Modell / Model Модель / Μοντέλο / نموذج</b>	<b>Prevalenza / Hauteur d'élévation / Head up Förderhöhe / Overwicht / Prevalencia Maximal pumphöjd / Manometrik yükseklik Напор / Μανομετρικό / التفوق</b>	
	<b><i>Hmax (m.) 2 poles 50 Hz</i></b>	<b><i>Hmax (m.) 2 poles 60 Hz</i></b>
K 35/100	38.5	37.5
K 40/100	44	46.2
KP 38/18	52	52
KP 60/6	87	82
KP 60/12	107	103
KPA 40/20	56	

---

---

**DAB PUMPS LTD.**

Unit 4, Stortford Hall Industrial  
Park Dunmow Road, Bishops Stortford, Herts  
CM23 5GZ - UK  
Tel. +44 1279 652 776  
Fax +44 1279 657 727

**DAB PUMPS B.V.**

Albert Einsteinweg, 4  
5151 DL Drunen - Nederland  
Tel. +31 416 387280  
Fax +31 416 387299  
info.nl@dabpumps.com

**DAB PUMPS B.V.**

Brusselstraat 150  
B-1702 Groot-Bijgaarden - Belgium  
Tel. +32 2 4668353  
Fax +32 2 4669218

**DAB PUMPEN DEUTSCHLAND GmbH**

Tackweg 11  
D - 47918 Tönisvorst - Germany  
Tel. +49 2151 82136-0  
Fax +49 2151 82136-36

**PUMPS AMERICA, INC. DAB PUMPS DIVISION**

3226 Benchmark Drive  
Ladson, SC 29456 USA  
Ph. 1-843-824-6332  
Toll Free 1-866-896-4DAB (4322)  
Fax 1-843-797-3366

**DAB PUMPS IBERICA S.L.**

Parque Empresarial San Fernando  
Edificio Italia Planta 1<sup>a</sup>  
28830 - San Fernando De Henares - Madrid  
Spain  
Ph. +34 91 6569545  
Fax +34 91 6569676

**000 DWT GROUP**

100 bldg. 3 Dmitrovskoe highway,  
127247 Moscow - Russia  
Tel. +7 095 485-1679

**DAB PUMPS CHINA**

Shandong Sheng Qingdao Shi  
Jinji Jishu Kaifaqu Kaituo Rd  
ZIP PC266510  
CN - China  
tel. +8613608963089  
fax. +8653286812210

**DAB PUMPS S.p.A.**

Via M. Polo, 14 - 35035 Mestrino (PD) - Italy  
Tel. +39 049 9048811 - Fax +39 049 9048847

**DWT HOLDING S.p.A.**

Sede Legale / Headquarter:  
Via Marco Polo, 14 | 35035 Mestrino | Padova | Italy

---